

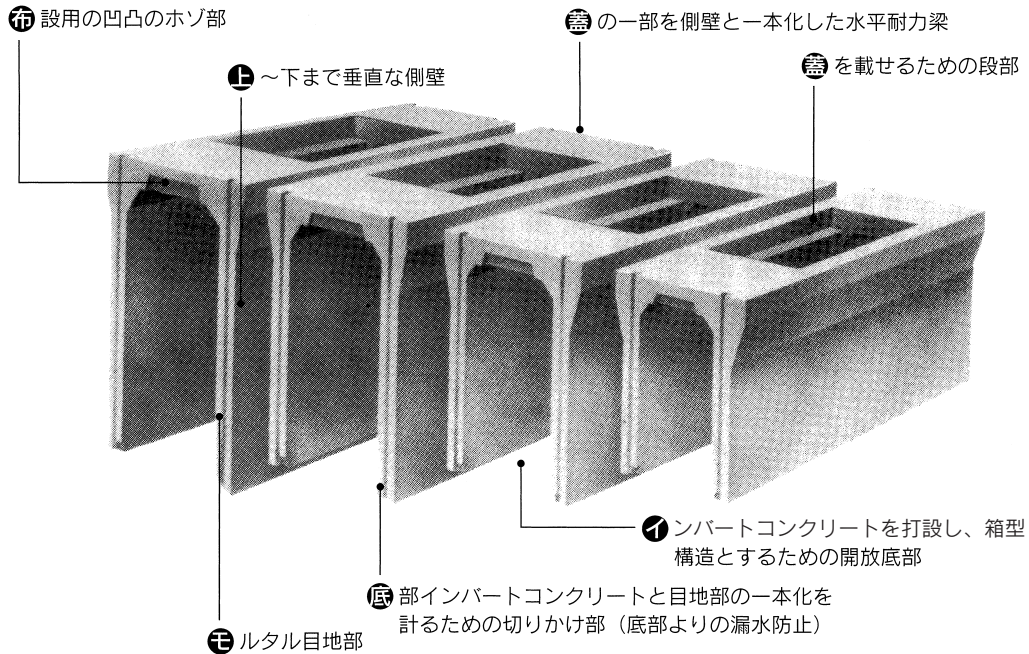
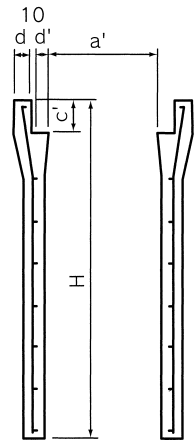
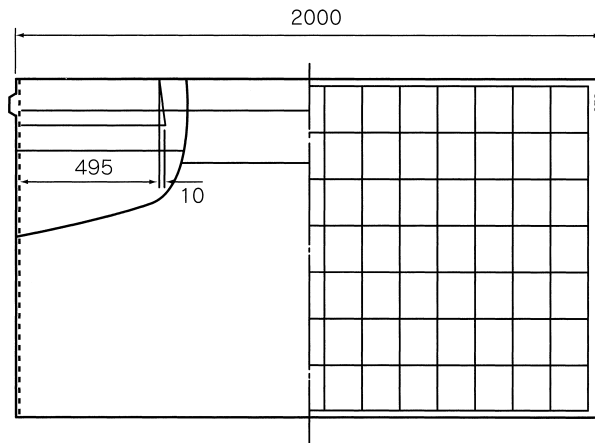
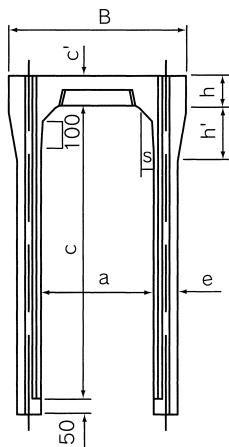
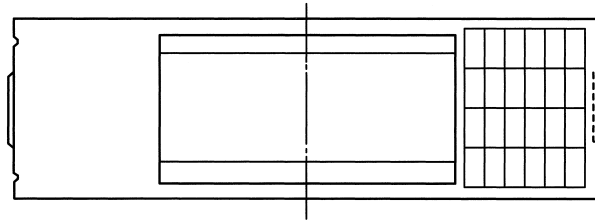
1

V S 側 溝

■VS側溝 (標準品)

特 長

門型構造をした製品で、開放底部に現場打ちコンクリートを打設するのみで、通常のU形側溝、深型の側溝又は勾配自在な側溝とし、あらゆる目的に使用できる画期的で合理的な側溝です。



1 道路用オリジナル製品

2 道路用一般製品

3 水路製品

4 環境保全型製品

5 擁壁・法面製品

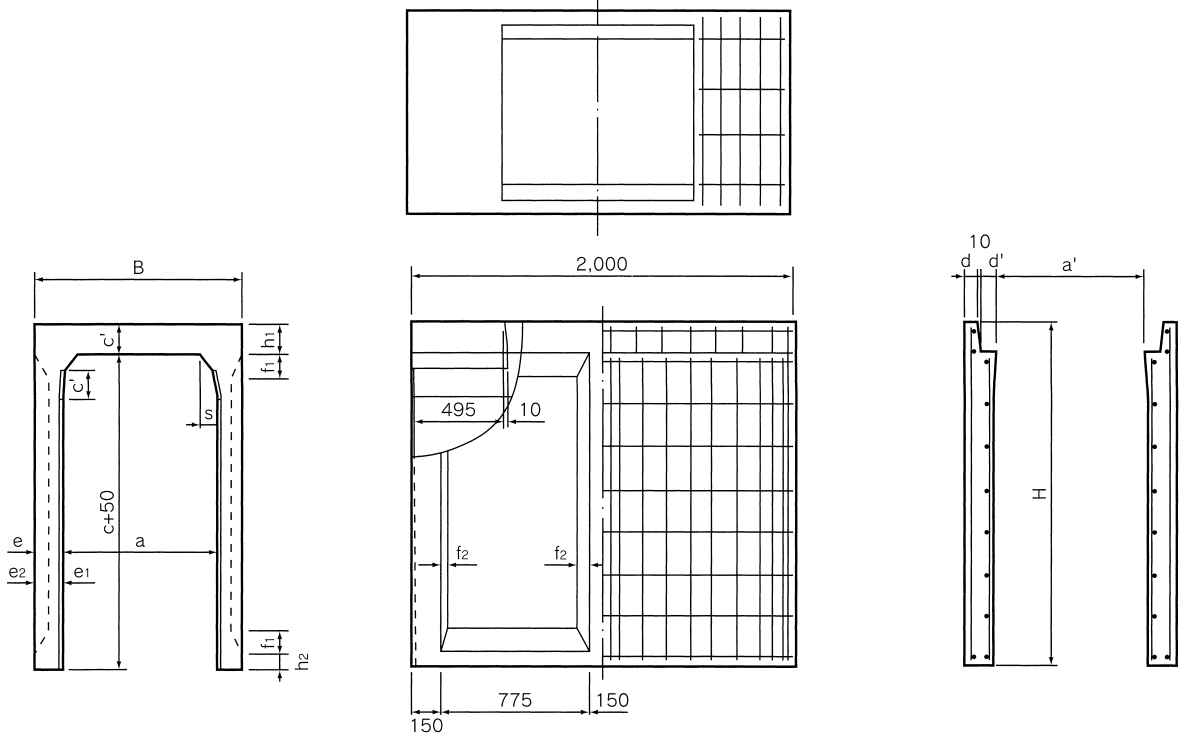
6 カルバート製品

7 下水道製品

| a × c (内幅) (内深) | 単 価 (円) | 参考質量 (kg) | 寸 法 (mm) | | | | | | | | | | | | | | |
|--------------------|------------|--------------|----------|------|-----|------|-----|-----|------|------|-----|------|------|------|-----|-----|------|
| | | | B | H | a' | c' | d | d' | e | h | h' | s | L | | | | |
| 300× 300 | 16,500 | 322 | 500 | 445 | 287 | 95 | 45 | 50 | 51.5 | 50 | 95 | 100 | 25 | 2000 | | | |
| 300× 400 | 20,200 | 399 | | 545 | 285 | | | | | | | 52.5 | 55 | | 150 | 30 | |
| 300× 500 | 23,000 | 450 | | 645 | 281 | | | | | | | 54.5 | 65 | | 160 | 35 | |
| 300× 600 | 28,400 | 558 | | 745 | | | | | | | | | | | | | |
| 300× 700 | 31,500 | 618 | | 845 | 277 | | | | | | | 56.5 | 75 | | 170 | 40 | |
| 300× 800 | 38,400 | 754 | | 945 | | | | | | | | | | | | | |
| 300× 900 | 42,700 | 824 | | 1045 | 273 | | | | | | | 58.5 | 85 | | 180 | 45 | |
| 300× 1000 | 51,000 | 986 | | 1145 | | | | | | | | | | | | | |
| 300× 1100 | 55,200 | 1065 | | 1245 | | | | | | | | | | | | | |
| 400× 400 | 23,100 | 454 | | 610 | 560 | | | | | | | 385 | 110 | | 50 | 50 | 52.5 |
| 400× 500 | 27,000 | 532 | 660 | | 381 | 54.5 | 60 | 160 | 40 | | | | | | | | |
| 400× 600 | 29,900 | 588 | 760 | | 377 | | | | | 56.5 | 70 | 170 | | 45 | | | |
| 400× 700 | 36,200 | 710 | 860 | | | | | | | | | | | | | | |
| 400× 800 | 39,400 | 775 | 960 | | 373 | 58.5 | 80 | 180 | 50 | | | | | | | | |
| 400× 900 | 47,100 | 924 | 1060 | | | | | | | | | | | | | | |
| 400× 1000 | 51,900 | 999 | 1160 | | 368 | 61.0 | 90 | 190 | 55 | | | | | | | | |
| 400× 1100 | 61,000 | 1175 | 1260 | | | | | | | | | | | | | | |
| 400× 1200 | 65,600 | 1259 | 1360 | | | | | | | | | | | | | | |
| 500× 400 | 29,600 | 532 | 720 | | 575 | 481 | 125 | 55 | 55 | 54.5 | 60 | 125 | | 160 | | | |
| 500× 500 | 32,800 | 587 | | 675 | 477 | 56.5 | | | | | | | 70 | 170 | 50 | | |
| 500× 600 | 36,200 | 710 | | 775 | | | | | | | | | | | | | |
| 500× 700 | 39,500 | 775 | | 875 | 472 | 59.0 | | | | | | | 85 | 180 | 60 | | |
| 500× 800 | 42,800 | 840 | | 975 | | | | | | | | | | | | | |
| 500× 900 | 52,600 | 1032 | | 1075 | 468 | 61.0 | | | | | | | 95 | 190 | 70 | | |
| 500× 1000 | 56,800 | 1111 | | 1175 | | | | | | | | | | | | | |
| 500× 1100 | 61,900 | 1190 | | 1275 | 568 | 61.0 | | | | | | | 90 | 190 | 70 | | |
| 500× 1200 | 71,900 | 1383 | | 1375 | | | | | | | | | | | | | |
| 500× 1300 | 76,700 | 1471 | | 1475 | 564 | 63.0 | | | | | | | 100 | 200 | 80 | | |
| 500× 1400 | 81,000 | 1559 | 1575 | | | | | | | | | | | | | | |
| 600× 400 | 34,600 | 633 | 830 | 590 | 577 | 140 | 60 | 60 | 56.5 | 65 | 140 | 170 | 50 | 2000 | | | |
| 600× 500 | 38,100 | 694 | | 690 | | | | | | | | 572 | 59.0 | | 75 | 180 | 60 |
| 600× 600 | 41,600 | 754 | | 790 | | | | | | | | | | | | | |
| 600× 700 | 45,100 | 885 | | 890 | | | | | | | | 568 | 61.0 | | 90 | 190 | 70 |
| 600× 800 | 48,600 | 955 | | 990 | | | | | | | | | | | | | |
| 600× 900 | 52,400 | 1024 | | 1090 | | | | | | | | 564 | 63.0 | | 100 | 200 | 80 |
| 600× 1000 | 63,000 | 1234 | | 1190 | | | | | | | | | | | | | |
| 600× 1100 | 67,300 | 1318 | | 1290 | | | | | | | | 564 | 63.0 | | 100 | 200 | 80 |
| 600× 1200 | 71,700 | 1402 | | 1390 | | | | | | | | | | | | | |
| 600× 1300 | 83,400 | 1608 | | 1490 | | | | | | | | 564 | 63.0 | | 100 | 200 | 80 |
| 600× 1400 | 88,500 | 1701 | 1590 | | | | | | | | | | | | | | |
| 600× 1500 | 93,300 | 1794 | 1690 | | | | | | | | | | | | | | |

- 1 道路用オリジナル製品
- 2 道路用一般製品
- 3 水路製品
- 4 環境保全型製品
- 5 擁壁・法面製品
- 6 カルバート製品
- 7 下水道製品

■VS側溝 (大型品)



| a × c (内幅) (内深) | 単 価 (円) | 参考質量 (kg) | 寸 法 (mm) | | | | | | | | | | |
|--------------------|------------|--------------|----------|------|-----|-----|-----|-----|----|-----|----|------|----|
| | | | B | H | a' | c' | d | d' | e | h | h' | s | L |
| 700 × 500 | 56,200 | 935 | 970 | 700 | 670 | 150 | 70 | 135 | 65 | 150 | 70 | 2000 | |
| 700 × 600 | 60,900 | 1010 | | 800 | | | | | | | | | |
| 700 × 700 | 65,300 | 1087 | | 900 | | | | | | | | | |
| 700 × 800 | 70,000 | 1164 | | 1000 | | | | | | | | | |
| 700 × 900 | 74,700 | 1242 | | 1100 | | | | | | | | | |
| 700 × 1000 | 79,300 | 1320 | | 1200 | | | | | | | | | |
| 700 × 1100 | 84,100 | 1397 | | 1300 | | | | | | | | | |
| 700 × 1200 | 88,600 | 1475 | | 1400 | | | | | | | | | |
| 700 × 1300 | 100,000 | 1557 | | 1500 | 666 | 72 | | | | | | | |
| 700 × 1400 | 105,000 | 1635 | | 1600 | | | | | | | | | |
| 700 × 1500 | 110,000 | 1713 | | 1700 | | | | | | | | | |
| 700 × 1600 | 116,000 | 1790 | | 1800 | | | | | | | | | |
| 700 × 1700 | 120,000 | 1868 | | 1900 | | | | | | | | | |
| 800 × 600 | 67,300 | 1120 | | 1080 | 810 | 768 | 160 | 75 | 71 | 140 | 70 | 160 | 80 |
| 800 × 700 | 72,200 | 1200 | 910 | | | | | | | | | | |
| 800 × 800 | 77,000 | 1279 | 1010 | | | | | | | | | | |
| 800 × 900 | 81,800 | 1361 | 1110 | | | | | | | | | | |
| 800 × 1000 | 86,900 | 1444 | 1210 | | | | | | | | | | |
| 800 × 1100 | 91,700 | 1526 | 1310 | | | | | | | | | | |
| 800 × 1200 | 96,800 | 1608 | 1410 | | | | | | | | | | |
| 800 × 1300 | 101,000 | 1691 | 1510 | | | | | | | | | | |

1 道路用オリジナル製品

2 道路用一般製品

3 水路製品

4 環境保全型製品

5 擁壁・法面製品

6 カルバート製品

7 下水道製品

| a × c (内幅) (内深) | 単 価 (円) | 参考質量 (kg) | 寸 法 (mm) | | | | | | | | | | | | | | | | | | | | |
|--------------------|------------|--------------|----------|------|-----|-----|----|----|-----|----|-----|----|------|-----|-----|-----|----|----|-----|----|-----|-----|------|
| | | | B | H | a' | c' | d | d' | e | h | h' | s | L | | | | | | | | | | |
| 800×1400 | 112,000 | 1778 | 1080 | 1610 | 764 | 160 | 75 | 73 | 140 | 70 | 160 | 80 | 2000 | | | | | | | | | | |
| 800×1500 | 118,000 | 1860 | | 1710 | | | | | | | | | | | | | | | | | | | |
| 800×1600 | 123,000 | 1942 | | 1810 | | | | | | | | | | | | | | | | | | | |
| 800×1700 | 128,000 | 2025 | | 1910 | | | | | | | | | | | | | | | | | | | |
| 800×1800 | 133,000 | 2107 | | 2010 | | | | | | | | | | | | | | | | | | | |
| 900× 700 | 78,800 | 1310 | 1190 | 920 | 866 | 170 | 75 | 77 | 145 | 75 | 170 | 90 | 2000 | | | | | | | | | | |
| 900× 800 | 84,200 | 1400 | | 1020 | | | | | | | | | | | | | | | | | | | |
| 900× 900 | 89,200 | 1483 | | 1120 | | | | | | | | | | | | | | | | | | | |
| 900×1000 | 94,500 | 1570 | | 1220 | | | | | | | | | | | | | | | | | | | |
| 900×1100 | 99,700 | 1657 | | 1320 | | | | | | | | | | | | | | | | | | | |
| 900×1200 | 104,000 | 1744 | | 1420 | | | | | | | | | | | | | | | | | | | |
| 900×1300 | 110,000 | 1831 | | 1520 | | | | | | | | | | | | | | | | | | | |
| 900×1400 | 115,000 | 1918 | | 1620 | | | | | | | | | | | | | | | | | | | |
| 900×1500 | 131,000 | 2010 | | 1720 | | | | | | | | | | | | | | | | | | | |
| 900×1600 | 133,000 | 2097 | | 1820 | | | | | | | | | | | | | | | | | | | |
| 900×1700 | 138,000 | 2184 | | 1920 | | | | | | | | | | | | | | | | | | | |
| 900×1800 | 144,000 | 2271 | | 2020 | | | | | | | | | | | | | | | | | | | |
| 900×1900 | 149,000 | 2358 | | 2120 | | | | | | | | | | | | | | | | | | | |
| 1000× 600 | 81,000 | 1350 | | 1300 | | | | | | | | | | 830 | 964 | 180 | 80 | 78 | 150 | 80 | 180 | 100 | 2000 |
| 1000× 700 | 86,500 | 1440 | | | | | | | | | | | | 930 | | | | | | | | | |
| 1000× 800 | 92,100 | 1530 | 1030 | | | | | | | | | | | | | | | | | | | | |
| 1000× 900 | 97,600 | 1620 | 1130 | | | | | | | | | | | | | | | | | | | | |
| 1000×1000 | 102,000 | 1705 | 1230 | | | | | | | | | | | | | | | | | | | | |
| 1000×1100 | 108,000 | 1797 | 1330 | | | | | | | | | | | | | | | | | | | | |
| 1000×1200 | 113,000 | 1889 | 1430 | | | | | | | | | | | | | | | | | | | | |
| 1000×1300 | 119,000 | 1980 | 1530 | | | | | | | | | | | | | | | | | | | | |
| 1000×1400 | 124,000 | 2072 | 1630 | | | | | | | | | | | | | | | | | | | | |
| 1000×1500 | 137,000 | 2164 | 1730 | | | | | | | | | | | | | | | | | | | | |
| 1000×1600 | 143,000 | 2261 | 1830 | | | | | | | | | | | | | | | | | | | | |
| 1000×1700 | 149,000 | 2352 | 1930 | | | | | | | | | | | | | | | | | | | | |
| 1000×1800 | 155,000 | 2444 | 2030 | | | | | | | | | | | | | | | | | | | | |
| 1000×1900 | 161,000 | 2536 | 2130 | | | | | | | | | | | | | | | | | | | | |
| 1000×2000 | 167,000 | 2627 | 2230 | | | | | | | | | | | | | | | | | | | | |

※製品質量が2t以上の製品は車上渡しとなります。

1 道路用オリジナル製品

2 道路用一般製品

3 水路製品

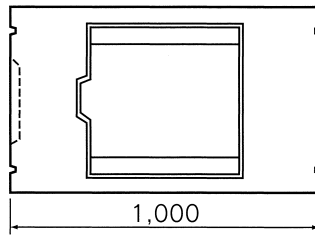
4 環境保全型製品

5 擁壁・法面製品

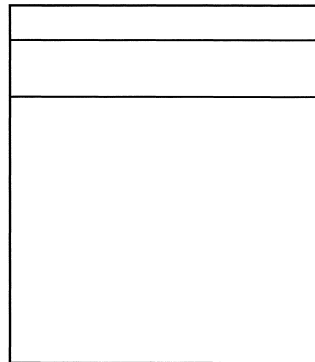
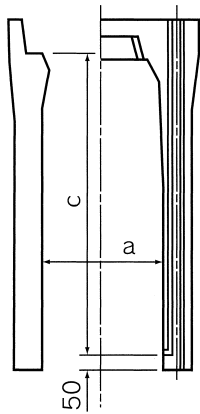
6 カルバート製品

7 下水道製品

■VS側溝 (長さ1m)



※蓋版1枚掛け

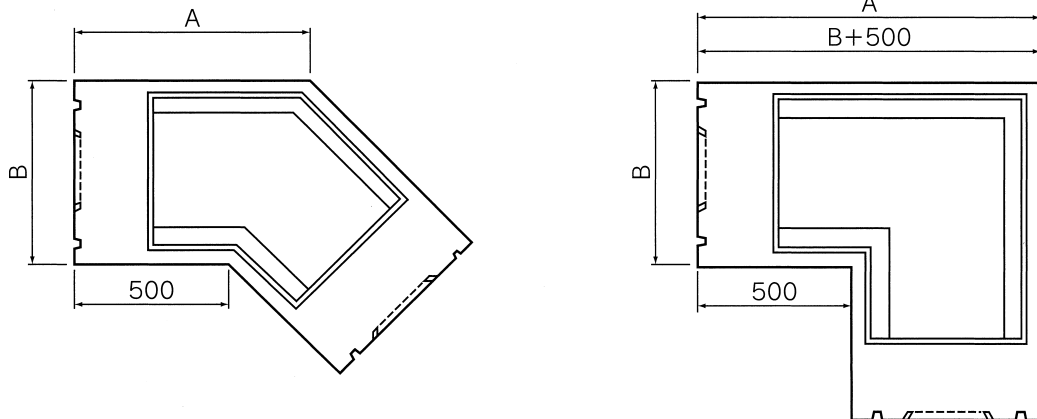


| a × c (内幅) (内深) | 単 価 (円) | 参考質量 (kg) | L (長さ) | a × c (内幅) (内深) | 単 価 (円) | 参考質量 (kg) | L (長さ) |
|--------------------|------------|--------------|-----------|--------------------|------------|--------------|-----------|
| 300× 300 | 11,500 | 178 | 1000 | 400× 400 | 16,200 | 243 | 1000 |
| 300× 400 | 14,100 | 203 | | 400× 500 | 18,800 | 271 | |
| 300× 500 | 16,100 | 228 | | 400× 600 | 21,000 | 299 | |
| 300× 600 | 19,700 | 297 | | 400× 700 | 25,100 | 376 | |
| 300× 700 | 22,000 | 329 | | 400× 800 | 27,600 | 411 | |
| 300× 800 | 26,900 | 362 | | 400× 900 | 32,800 | 466 | |
| 300× 900 | 29,900 | 458 | | 400×1000 | 36,300 | 551 | |
| 300×1000 | 35,600 | 497 | | 400×1100 | 42,700 | 592 | |
| 300×1100 | 38,600 | 536 | | 400×1200 | 45,800 | 634 | |
| 500× 400 | 20,800 | 313 | | 1000 | 600× 400 | 24,100 | |
| 500× 500 | 23,100 | 350 | 600× 500 | | 26,600 | 400 | |
| 500× 600 | 25,300 | 387 | 600× 600 | | 29,000 | 440 | |
| 500× 700 | 27,700 | 424 | 600× 700 | | 31,500 | 479 | |
| 500× 800 | 30,000 | 461 | 600× 800 | | 34,000 | 519 | |
| 500× 900 | 36,800 | 498 | 600× 900 | | 36,600 | 558 | |
| 500×1000 | 39,600 | 535 | 600×1000 | | 44,100 | 598 | |
| 500×1100 | 43,400 | 649 | 600×1100 | | 47,100 | 637 | |
| 500×1200 | 50,300 | 693 | 600×1200 | | 51,000 | 761 | |
| 500×1300 | 53,500 | 737 | 600×1300 | | 58,400 | 807 | |
| 500×1400 | 56,800 | 781 | 600×1400 | | 61,800 | 853 | |
| | | | 600×1500 | | 65,300 | 900 | |

※断面形状寸法は、L=2mと同じになります。

1 道路用オリジナル製品
2 道路用一般製品
3 水路製品
4 環境保全型製品
5 擁壁・法面製品
6 カルバート製品
7 下水道製品

■VS側溝 (隅切用)



本体 45°

| a × c (内幅) (内深) | 単 価 (円) | 参考質量 (kg) | A | a × c (内幅) (内深) | 単 価 (円) | 参考質量 (kg) | A |
|--------------------|------------|--------------|-----|--------------------|------------|--------------|-----|
| 300 × 300 | 15,400 | 205 | 707 | 400 × 400 | 21,600 | 288 | 753 |
| 300 × 400 | 17,900 | 235 | | 400 × 500 | 24,300 | 323 | |
| 300 × 500 | 20,200 | 267 | | 400 × 600 | 27,100 | 358 | |
| 300 × 600 | 26,500 | 350 | | 400 × 700 | 34,500 | 455 | |
| 300 × 700 | 29,300 | 389 | | 400 × 800 | 37,600 | 499 | |
| 300 × 800 | 32,400 | 428 | | 400 × 900 | 40,900 | 543 | |
| 500 × 600 | 36,200 | 479 | 798 | 600 × 700 | 45,800 | 609 | 844 |
| 500 × 700 | 39,600 | 527 | | 600 × 800 | 49,900 | 662 | |
| 500 × 800 | 43,400 | 575 | | 600 × 900 | 54,000 | 715 | |
| 500 × 900 | 47,000 | 624 | | 600 × 1000 | 57,900 | 768 | |
| 500 × 1000 | 50,600 | 672 | | 600 × 1100 | 61,800 | 821 | |

本体 90°

| a × c (内幅) (内深) | 単 価 (円) | 参考質量 (kg) | A | a × c (内幅) (内深) | 単 価 (円) | 参考質量 (kg) | A |
|--------------------|------------|--------------|------|--------------------|------------|--------------|------|
| 300 × 300 | 20,900 | 276 | 1000 | 400 × 400 | 30,100 | 397 | 1110 |
| 300 × 400 | 24,600 | 325 | | 400 × 500 | 35,100 | 453 | |
| 300 × 500 | 28,400 | 374 | | 400 × 600 | 38,600 | 509 | |
| 300 × 600 | 32,000 | 423 | | 400 × 700 | 42,800 | 565 | |
| 300 × 700 | 36,600 | 472 | | 400 × 800 | 47,100 | 621 | |
| 300 × 800 | 39,400 | 520 | | 400 × 900 | 51,400 | 677 | |

※表記以外は、弊社営業員にお問い合わせください。

1 道路用オリジナル製品

2 道路用一般製品

3 水路製品

4 環境保全型製品

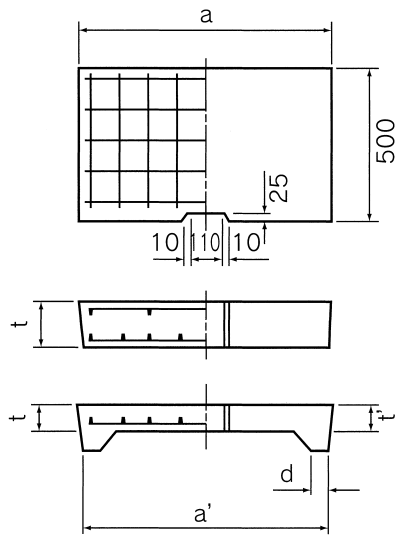
5 擁壁・法面製品

6 カルバート製品

7 下水道製品

VS側溝蓋

コンクリート蓋

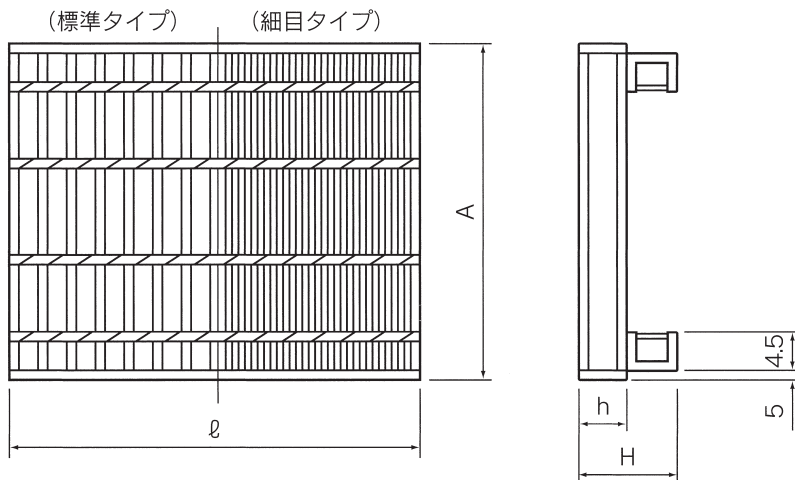


| 種類 | 呼名 | 単価 (円) | 参考質量 (kg) | a | a' | d | t | t' | l |
|-------|------|--------|-----------|------|------|----|-----|------|-----|
| 車道用 | 300 | 2,530 | 41 | 400 | 380 | - | 95 | - | 500 |
| | 400 | 3,450 | 60 | 500 | 480 | | 110 | | |
| | 500 | 4,830 | 83 | 600 | 580 | | 125 | | |
| | 600 | 6,210 | 108 | 700 | 680 | | 140 | | |
| | 700 | 8,050 | 137 | 820 | 800 | | 150 | | |
| | 800 | 10,580 | 165 | 920 | 900 | | 160 | | |
| | 900 | 12,800 | 196 | 1030 | 1010 | | 170 | | |
| | 1000 | 15,500 | 228 | 1130 | 1110 | | 180 | | |
| 軽荷重用 | 300 | 1,950 | 30 | 400 | 380 | 50 | 95 | 55 | 500 |
| | 400 | 2,530 | 43 | 500 | 480 | | 110 | 65 | |
| | 500 | 3,450 | 55 | 600 | 580 | | 125 | 70 | |
| | 600 | 4,480 | 72 | 700 | 680 | | 140 | 80 | |
| | 700 | 5,750 | 89 | 820 | 800 | 55 | 150 | 85 | 500 |
| | 800 | 7,010 | 106 | 920 | 900 | | 160 | 90 | |
| | 900 | 8,510 | 125 | 1030 | 1010 | 60 | 170 | 95 | 500 |
| | 1000 | 10,350 | 144 | 1130 | 1110 | | 180 | 100 | |
| 45° 用 | 300 | 3,910 | 59 | 400 | 380 | - | 95 | A437 | - |
| | 400 | 6,210 | 92 | 500 | 480 | | 110 | A480 | |
| | 500 | 9,080 | 135 | 600 | 580 | | 125 | A524 | |
| | 600 | 12,600 | 187 | 700 | 680 | | 140 | A567 | |
| 90° 用 | 300 | 5,750 | 84 | 400 | 380 | - | 95 | A700 | - |
| | 400 | 9,310 | 136 | 500 | 480 | | 110 | A805 | |

※配筋および継ぎ手部などの詳細については、承認図面をご参照ください。

1 道路用オリジナル製品
2 道路用一般製品
3 水路製品
4 環境保全型製品
5 擁壁・法面製品
6 カルバート製品
7 下水道製品

■VS側溝用グレーチング

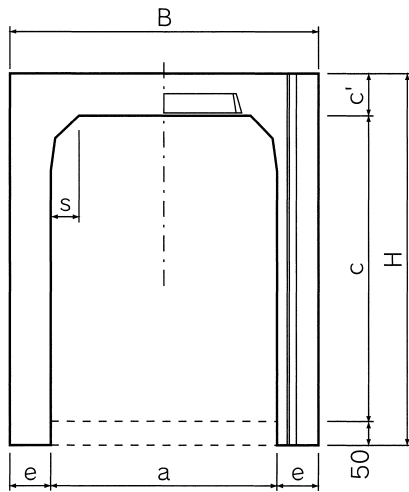


| 種類 | 溝幅 | 並目ノンスリップ | | | | 細目ノンスリップ | | | |
|------|------|----------|-------|-----------|-------|----------|-------|-----------|-------|
| | | 単価 (円) | | 参考質量 (kg) | | 単価 (円) | | 参考質量 (kg) | |
| | | 1m物 | 0.5m物 | 1m物 | 0.5m物 | 1m物 | 0.5m物 | 1m物 | 0.5m物 |
| T-25 | 300 | 別途見積 | 別途見積 | 33.5 | 17.6 | 別途見積 | 別途見積 | 40.9 | 20.4 |
| | 400 | 〃 | 〃 | 50.5 | 25.8 | 〃 | 〃 | 78.5 | 39.2 |
| | 500 | 〃 | 〃 | 74.0 | 37.0 | 〃 | 〃 | 94.7 | 46.9 |
| | 600 | 〃 | 〃 | 94.2 | 46.9 | 〃 | 〃 | 102.2 | 53.7 |
| | 700 | 〃 | 〃 | 98.0 | 57.0 | 〃 | 〃 | 120.0 | 66.3 |
| | 800 | 〃 | 〃 | 103.0 | 61.0 | 〃 | 〃 | 123.9 | 71.4 |
| | 900 | 〃 | 〃 | 129.0 | 74.0 | 〃 | 〃 | 152.4 | 85.7 |
| | 1000 | 〃 | 〃 | 139.0 | 77.0 | 〃 | 〃 | 165.0 | 89.8 |
| T-20 | 300 | 〃 | 〃 | 35.0 | 18.0 | 〃 | 〃 | 37.1 | 18.9 |
| | 400 | 〃 | 〃 | 49.0 | 24.1 | 〃 | 〃 | 56.6 | 28.3 |
| | 500 | 〃 | 〃 | 67.4 | 33.8 | 〃 | 〃 | 94.8 | 47.6 |
| | 600 | 〃 | 〃 | 89.3 | 44.5 | 〃 | 〃 | 118.5 | 59.3 |
| | 700 | 〃 | 〃 | 91.0 | 54.0 | 〃 | 〃 | 109.5 | 63.3 |
| | 800 | 〃 | 〃 | 103.0 | 61.0 | 〃 | 〃 | 123.9 | 71.4 |
| | 900 | 〃 | 〃 | 117.0 | 68.0 | 〃 | 〃 | 140.4 | 79.7 |
| | 1000 | 〃 | 〃 | 131.0 | 74.0 | 〃 | 〃 | 156.7 | 86.8 |
| T-14 | 300 | 〃 | 〃 | 30.3 | 14.8 | 〃 | 〃 | 37.1 | 18.9 |
| | 400 | 〃 | 〃 | 44.3 | 21.7 | 〃 | 〃 | 51.1 | 25.9 |
| | 500 | 〃 | 〃 | 60.6 | 30.5 | 〃 | 〃 | 67.3 | 31.7 |
| | 600 | 〃 | 〃 | 78.4 | 39.4 | 〃 | 〃 | 113.2 | 56.3 |
| | 700 | 〃 | 〃 | 84.0 | 46.0 | 〃 | 〃 | 99.0 | 52.8 |
| | 800 | 〃 | 〃 | 94.0 | 51.0 | 〃 | 〃 | 110.3 | 59.1 |
| | 900 | 〃 | 〃 | 112.0 | 62.0 | 〃 | 〃 | 132.5 | 72.5 |
| | 1000 | 〃 | 〃 | 124.0 | 68.0 | 〃 | 〃 | 146.0 | 79.5 |
| T-6 | 300 | 〃 | 〃 | 27.1 | 13.3 | 〃 | 〃 | 32.2 | 16.2 |
| | 400 | 〃 | 〃 | 35.7 | 17.5 | 〃 | 〃 | 45.5 | 23.0 |
| | 500 | 〃 | 〃 | 51.4 | 25.8 | 〃 | 〃 | 60.7 | 28.7 |
| | 600 | 〃 | 〃 | 62.9 | 31.6 | 〃 | 〃 | 81.0 | 41.0 |
| | 700 | 〃 | 〃 | 81.3 | 40.8 | 〃 | 〃 | 99.0 | 52.8 |
| | 800 | 〃 | 〃 | 93.8 | 47.1 | 〃 | 〃 | 110.3 | 59.1 |
| | 900 | 〃 | 〃 | 115.7 | 58.1 | 〃 | 〃 | 123.2 | 65.8 |
| | 1000 | 〃 | 〃 | 126.4 | 63.5 | 〃 | 〃 | 135.1 | 72.2 |

※ゴム付きも対応可能です。

- 1 道路用オリジナル製品
- 2 道路用一般製品
- 3 水路製品
- 4 環境保全型製品
- 5 擁壁・法面製品
- 6 カルバート製品
- 7 下水道製品

VS側溝 (暗渠型)



| a × c (内幅) (内深) | 単 価 (円) | 参考質量 (kg) | 寸 法 (mm) | | | | | | | |
|--------------------|------------|--------------|----------|------|-----|-----|-----|-----|----|------|
| | | | B | H | a | c | c' | e | s | L |
| 300× 300 | 28,900 | 562 | 500 | 445 | 300 | 300 | 95 | 100 | 45 | 2000 |
| 300× 400 | 33,300 | 656 | | 545 | | | | | | |
| 300× 500 | 38,400 | 750 | | 645 | | | | | | |
| 300× 600 | 43,000 | 844 | | 745 | | | | | | |
| 300× 700 | 47,900 | 938 | | 845 | | | | | | |
| 300× 800 | 52,600 | 1032 | | 945 | | | | | | |
| 300× 900 | 58,400 | 1126 | | 1045 | | | | | | |
| 300×1000 | 63,100 | 1220 | 1145 | | | | | | | |
| 300×1100 | 68,000 | 1314 | 1245 | 1100 | | | | | | |
| 400× 400 | 39,500 | 774 | 610 | 560 | 400 | 400 | 110 | 105 | 55 | 2000 |
| 400× 500 | 44,300 | 872 | | 660 | | | | | | |
| 400× 600 | 49,400 | 971 | | 760 | | | | | | |
| 400× 700 | 54,700 | 1070 | | 860 | | | | | | |
| 400× 800 | 59,400 | 1168 | | 960 | | | | | | |
| 400× 900 | 64,600 | 1267 | | 1060 | | | | | | |
| 400×1000 | 71,100 | 1366 | | 1160 | | | | | | |
| 400×1100 | 75,900 | 1465 | 1260 | | | | | | | |
| 400×1200 | 81,600 | 1564 | 1360 | 1200 | | | | | | |
| 500× 400 | 50,800 | 912 | 720 | 575 | 500 | 400 | 125 | 110 | 70 | 2000 |
| 500× 500 | 55,800 | 1017 | | 675 | | | | | | |
| 500× 600 | 60,800 | 1118 | | 775 | | | | | | |
| 500× 700 | 65,700 | 1222 | | 875 | | | | | | |
| 500× 800 | 70,700 | 1324 | | 975 | | | | | | |
| 500× 900 | 75,900 | 1429 | | 1075 | | | | | | |
| 500×1000 | 80,900 | 1531 | | 1175 | | | | | | |
| 500×1100 | 86,000 | 1635 | 1275 | | | | | | | |
| 500×1200 | 91,100 | 1739 | 1375 | | | | | | | |
| 500×1300 | 96,200 | 1842 | 1475 | | | | | | | |
| 500×1400 | 101,400 | 1946 | 1575 | 1400 | | | | | | |
| 600× 400 | 58,100 | 1062 | 830 | 590 | 600 | 400 | 140 | 115 | 80 | 2000 |
| 600× 500 | 63,500 | 1171 | | 690 | | | | | | |
| 600× 600 | 69,000 | 1279 | | 790 | | | | | | |
| 600× 700 | 74,200 | 1387 | | 890 | | | | | | |
| 600× 800 | 79,600 | 1495 | | 990 | | | | | | |
| 600× 900 | 85,100 | 1603 | | 1090 | | | | | | |
| 600×1000 | 90,500 | 1712 | | 1190 | | | | | | |
| 600×1100 | 95,900 | 1819 | 1290 | | | | | | | |
| 600×1200 | 101,200 | 1927 | 1390 | 1200 | | | | | | |

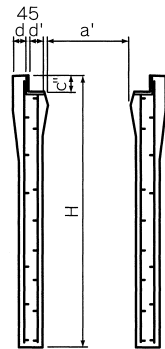
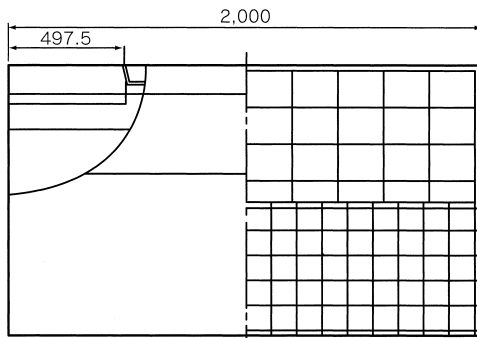
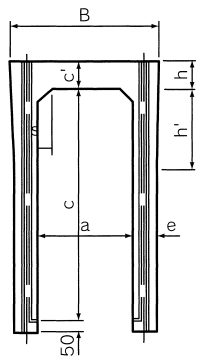
- 1 道路用オリシナル製品
- 2 道路用一般製品
- 3 水路製品
- 4 環境保全型製品
- 5 擁壁・法面製品
- 6 カルバート製品
- 7 下水道製品

| a × c (内幅) (内深) | 単 価 (円) | 参考質量 (kg) | 寸 法 (mm) | | | | | | | |
|--------------------|------------|--------------|----------|------|------|------|-----|-----|-----|------|
| | | | B | H | a | c | c' | e | s | L |
| 600×1300 | 106,600 | 2036 | 830 | 1490 | 600 | 1300 | 140 | 115 | 80 | 2000 |
| 600×1400 | 112,000 | 2143 | | 1590 | | 1400 | | | | |
| 600×1500 | 117,000 | 2252 | | 1690 | | 1500 | | | | |
| 700× 500 | 84,600 | 1405 | 970 | 700 | 700 | 500 | 150 | 135 | 70 | 2000 |
| 700× 600 | 92,400 | 1531 | | 800 | | 600 | | | | |
| 700× 700 | 99,800 | 1659 | | 900 | | 700 | | | | |
| 700× 800 | 108,000 | 1786 | | 1000 | | 800 | | | | |
| 700× 900 | 115,000 | 1912 | | 1100 | | 900 | | | | |
| 700×1000 | 122,000 | 2040 | | 1200 | | 1000 | | | | |
| 700×1100 | 130,000 | 2166 | | 1300 | | 1100 | | | | |
| 700×1200 | 138,000 | 2293 | | 1400 | | 1200 | | | | |
| 700×1300 | 156,000 | 2421 | | 1500 | | 1300 | | | | |
| 700×1400 | 165,000 | 2547 | | 1600 | | 1400 | | | | |
| 700×1500 | 173,000 | 2674 | 1700 | 1500 | | | | | | |
| 700×1600 | 181,000 | 2800 | 1800 | 1600 | | | | | | |
| 700×1700 | 189,000 | 2928 | 1900 | 1700 | | | | | | |
| 800× 600 | 102,000 | 1698 | 1080 | 810 | 800 | 600 | 160 | 140 | 80 | 2000 |
| 800× 700 | 109,000 | 1829 | | 910 | | 700 | | | | |
| 800× 800 | 118,000 | 1961 | | 1010 | | 800 | | | | |
| 800× 900 | 125,000 | 2092 | | 1110 | | 900 | | | | |
| 800×1000 | 133,000 | 2224 | | 1210 | | 1000 | | | | |
| 800×1100 | 141,000 | 2356 | | 1310 | | 1100 | | | | |
| 800×1200 | 149,000 | 2487 | | 1410 | | 1200 | | | | |
| 800×1300 | 157,000 | 2619 | | 1510 | | 1300 | | | | |
| 800×1400 | 174,000 | 2750 | | 1610 | | 1400 | | | | |
| 800×1500 | 183,000 | 2882 | | 1710 | | 1500 | | | | |
| 800×1600 | 191,000 | 3014 | 1810 | 1600 | | | | | | |
| 800×1700 | 199,000 | 3145 | 1910 | 1700 | | | | | | |
| 800×1800 | 208,000 | 3277 | 2010 | 1800 | | | | | | |
| 900× 700 | 121,000 | 2011 | 1190 | 920 | 900 | 700 | 170 | 145 | 90 | 2000 |
| 900× 800 | 129,000 | 2147 | | 1020 | | 800 | | | | |
| 900× 900 | 137,000 | 2283 | | 1120 | | 900 | | | | |
| 900×1000 | 145,000 | 2421 | | 1220 | | 1000 | | | | |
| 900×1100 | 153,000 | 2557 | | 1320 | | 1100 | | | | |
| 900×1200 | 162,000 | 2693 | | 1420 | | 1200 | | | | |
| 900×1300 | 170,000 | 2829 | | 1520 | | 1300 | | | | |
| 900×1400 | 178,000 | 2965 | | 1620 | | 1400 | | | | |
| 900×1500 | 202,000 | 3102 | | 1720 | | 1500 | | | | |
| 900×1600 | 206,000 | 3238 | | 1820 | | 1600 | | | | |
| 900×1700 | 214,000 | 3374 | 1920 | 1700 | | | | | | |
| 900×1800 | 223,000 | 3510 | 2020 | 1800 | | | | | | |
| 900×1900 | 231,000 | 3646 | 2120 | 1900 | | | | | | |
| 1000× 800 | 141,000 | 2345 | 1300 | 1030 | 1000 | 800 | 180 | 150 | 100 | 2000 |
| 1000× 900 | 149,000 | 2486 | | 1130 | | 900 | | | | |
| 1000×1000 | 158,000 | 2627 | | 1230 | | 1000 | | | | |
| 1000×1100 | 166,000 | 2768 | | 1330 | | 1100 | | | | |
| 1000×1200 | 175,000 | 2909 | | 1430 | | 1200 | | | | |
| 1000×1300 | 183,000 | 3050 | | 1530 | | 1300 | | | | |
| 1000×1400 | 192,000 | 3191 | | 1630 | | 1400 | | | | |
| 1000×1500 | 200,000 | 3332 | | 1730 | | 1500 | | | | |
| 1000×1600 | 221,000 | 3473 | | 1830 | | 1600 | | | | |
| 1000×1700 | 229,000 | 3614 | | 1930 | | 1700 | | | | |
| 1000×1800 | 238,000 | 3755 | 2030 | 1800 | | | | | | |
| 1000×1900 | 248,000 | 3896 | 2130 | 1900 | | | | | | |
| 1000×2000 | 256,000 | 4037 | 2230 | 2000 | | | | | | |

※製品質量が2t以上の製品は車上渡しとなります。

- 1 道路用オリジナル製品
- 2 道路用一般製品
- 3 水路製品
- 4 環境保全型製品
- 5 擁壁・法面製品
- 6 カルバート製品
- 7 下水道製品

■VS側溝 (横断用)



| a × c (内幅) (内深) | 単 価 (円) | 参考質量 (kg) | 寸 法 (mm) | | | | | | | | | | | | | | | |
|--------------------|------------|--------------|----------|------|------|-----|-----|------|------|-----|-----|-----|-----|------|-----|-----|-----|------|
| | | | B | H | a' | c | c' | d | d' | e | h | h' | s | | | | | |
| 300× 300 | 49,200 | 475 | 520 | 445 | 277 | 685 | 110 | 50.5 | 64 | 95 | 110 | 300 | 45 | | | | | |
| 300× 400 | 55,000 | 550 | | 545 | | | | | | | | | | 385 | 80 | 200 | | |
| 300× 500 | 60,700 | 624 | | 645 | | | | | | | | | | 485 | | | | |
| 300× 600 | 72,700 | 780 | | 745 | | | | | | | | | | 585 | | | | |
| 300× 700 | 79,500 | 868 | | 845 | | | | | | | | | | 685 | | | | |
| 300× 800 | 86,400 | 957 | | 945 | | | | | | | | | | 785 | | | | |
| 300× 900 | 101,000 | 1155 | | 1045 | | | | | | | | | | 885 | | | | |
| 300×1000 | 109,000 | 1257 | | 1145 | | | | | | | | | | 985 | | 110 | - | |
| 300×1100 | 117,000 | 1359 | | 1245 | | | | | | | | | | 1085 | | 110 | - | |
| 400× 400 | 63,400 | 642 | | 630 | | | | | | | | | | 560 | 373 | 785 | 125 | 55.5 |
| 400× 500 | 69,500 | 721 | 660 | | 485 | 85 | 250 | | | | | | | | | | | |
| 400× 600 | 75,600 | 800 | 760 | | 585 | | | | | | | | | | | | | |
| 400× 700 | 88,800 | 971 | 860 | | 685 | | | | | | | | | | | | | |
| 400× 800 | 96,100 | 1064 | 960 | | 785 | | | | | | | | | | | | | |
| 400× 900 | 103,000 | 1157 | 1060 | | 885 | | | | | | | | | | | | | |
| 400×1000 | 119,000 | 1370 | 1160 | | 985 | | | | | | | | | | | | | |
| 400×1100 | 127,000 | 1477 | 1260 | | 1085 | | 115 | - | | | | | | | | | | |
| 400×1200 | 136,000 | 1584 | 1360 | | 1185 | | 115 | - | | | | | | | | | | |
| 500× 400 | 74,500 | 773 | 750 | | 575 | 468 | 885 | 140 | 65.5 | 68 | 95 | 140 | 300 | 70 | | | | |
| 500× 500 | 81,100 | 861 | | 675 | 485 | | | | | | | | | | | | | |
| 500× 600 | 87,900 | 949 | | 775 | 585 | | | | | | | | | | | | | |
| 500× 700 | 94,800 | 1038 | | 875 | 685 | | | | | | | | | | | | | |
| 500× 800 | 101,000 | 1126 | | 975 | 785 | | | | | | | | | | | | | |
| 500× 900 | 117,000 | 1331 | | 1075 | 885 | | | | | | | | | | | | | |
| 500×1000 | 125,000 | 1433 | | 1175 | 985 | | | | | | | | | | | 110 | 140 | 400 |
| 500×1100 | 133,000 | 1536 | | 1275 | 1085 | | | | | | | | | | | 110 | 140 | 400 |
| 500×1200 | 152,000 | 1783 | | 1375 | 1185 | | | | | | | | | | | 125 | - | |
| 500×1300 | 161,000 | 1899 | | 1475 | 1285 | | | | | | | | | | | 125 | - | |
| 600× 400 | 84,700 | 884 | 860 | 590 | 564 | 885 | 155 | 70.5 | 70 | 100 | 155 | 350 | 80 | | | | | |
| 600× 500 | 92,000 | 977 | | 690 | | | | | | | | | | 485 | | | | |
| 600× 600 | 99,200 | 1070 | | 790 | | | | | | | | | | 585 | | | | |
| 600× 700 | 106,000 | 1163 | | 890 | | | | | | | | | | 685 | | | | |
| 600× 800 | 113,600 | 1256 | | 990 | | | | | | | | | | 785 | | | | |
| 600× 900 | 120,000 | 1349 | | 1090 | | | | | | | | | | 885 | | | | |
| 600×1000 | 137,000 | 1569 | | 1190 | | | | | | | | | | 985 | | | | |
| 600×1100 | 146,000 | 1676 | | 1290 | | | | | | | | | | 1085 | | 115 | 155 | 450 |
| 600×1200 | 154,000 | 1783 | | 1390 | | | | | | | | | | 1185 | | 115 | 155 | 450 |
| 600×1300 | 174,000 | 2045 | | 1490 | | | | | | | | | | 1285 | | 130 | - | |
| 600×1400 | 184,000 | 2166 | | 1590 | | | | | | | | | | 1385 | | 130 | - | |
| 600×1500 | 193,000 | 2287 | | 1690 | | | | | | | | | | 1485 | | 130 | - | |

※蓋の幅300～600はボルト固定グレーチングとしました。

※価格には、グレーチングの受枠を含みます。(グレーチング本体は含みません)

※製品質量が2t以上の製品は車上渡しとなります。

1 道路用オリジナル製品

2 道路用一般製品

3 水路製品

4 環境保全型製品

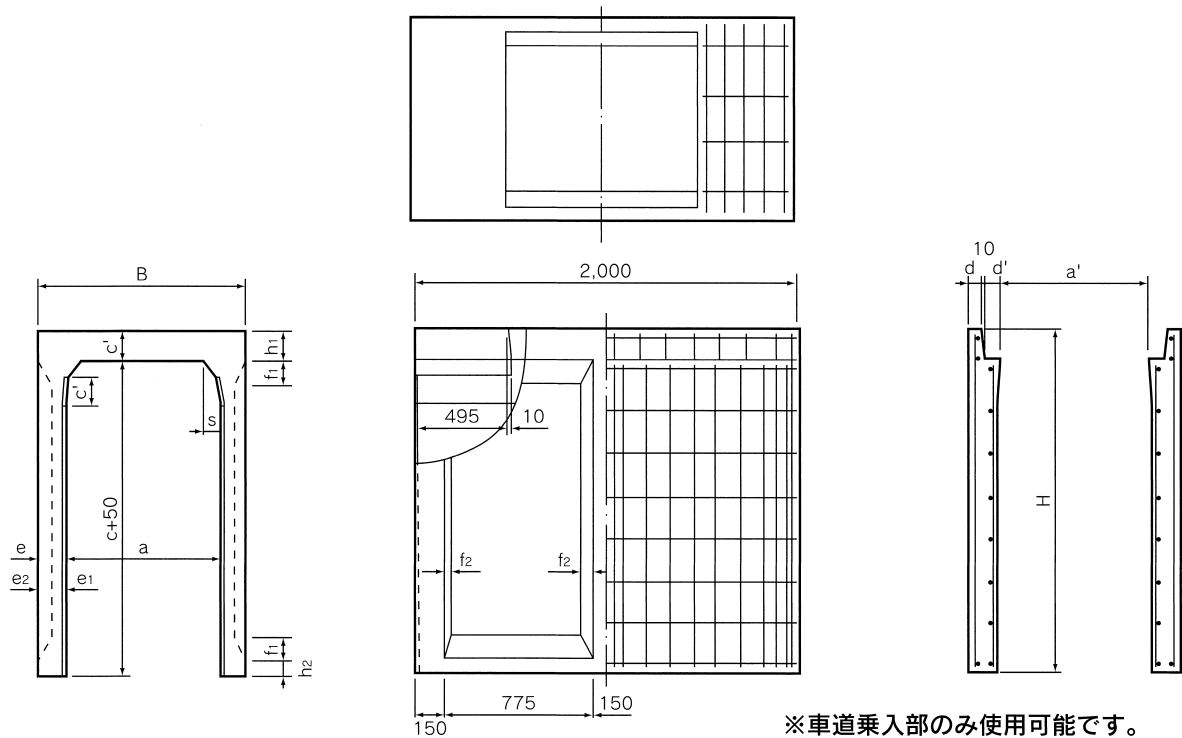
5 擁壁・法面製品

6 カルバート製品

7 下水道製品

■VS側溝 (大型・横断用) ※グレーチングかさ上げタイプ(ボルト固定ではありません)

B700-1000のサイズは、標準タイプ配筋を変えることにより横断用として対応しております。



※車道乗入部のみ使用可能です。

| a × c (内幅) (内深) | 単価 (円) | 参考質量 (kg) | 寸法 (mm) | | | | | | | | | |
|--------------------|-----------|--------------|---------|------|-----|-----|-----|-----|-----|----|-----|------|
| | | | B | H | a' | c' | d | d' | e | h | h' | L |
| 700 × 500 | 124,000 | 935 | 970 | 700 | 670 | 150 | 70 | 70 | 135 | 65 | 150 | 2000 |
| 700 × 600 | 129,000 | 1010 | | 800 | | | | | | | | |
| 700 × 700 | 134,000 | 1087 | | 900 | | | | | | | | |
| 700 × 800 | 139,000 | 1164 | | 1000 | | | | | | | | |
| 700 × 900 | 144,000 | 1242 | | 1100 | | | | | | | | |
| 700 × 1000 | 149,000 | 1320 | | 1200 | | | | | | | | |
| 700 × 1100 | 154,000 | 1397 | | 1300 | | | | | | | | |
| 700 × 1200 | 159,000 | 1475 | | 1400 | | | | | | | | |
| 700 × 1300 | 171,000 | 1557 | | 1500 | 666 | 72 | | | | | | |
| 700 × 1400 | 176,000 | 1635 | | 1600 | | | | | | | | |
| 700 × 1500 | 181,000 | 1713 | | 1700 | | | | | | | | |
| 700 × 1600 | 187,000 | 1790 | | 1800 | | | | | | | | |
| 700 × 1700 | 192,000 | 1868 | | 1900 | | | | | | | | |
| 800 × 600 | 147,000 | 1120 | | 1080 | | | 810 | 768 | 160 | 75 | 71 | 140 |
| 800 × 700 | 152,000 | 1200 | 910 | | | | | | | | | |
| 800 × 800 | 157,000 | 1279 | 1010 | | | | | | | | | |
| 800 × 900 | 163,000 | 1361 | 1110 | | | | | | | | | |
| 800 × 1000 | 168,000 | 1444 | 1210 | | | | | | | | | |
| 800 × 1100 | 174,000 | 1526 | 1310 | | | | | | | | | |
| 800 × 1200 | 179,000 | 1608 | 1410 | | | | | | | | | |
| 800 × 1300 | 185,000 | 1691 | 1510 | | | | | | | | | |

※価格には、グレーチングは含まれておりません
蓋は、かさあげグレーチングとしボルト固定仕様ではありません。

- 1 道路用オリジナル製品
- 2 道路用一般製品
- 3 水路製品
- 4 環境保全型製品
- 5 擁壁・法面製品
- 6 カルバート製品
- 7 下水道製品

1
道路用オリジナル製品

2
道路用一般製品

3
水路製品

4
環境保全型製品

5
擁壁・法面製品

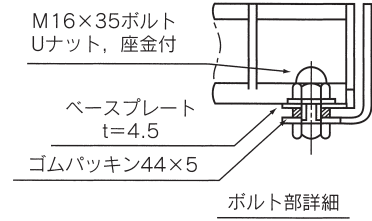
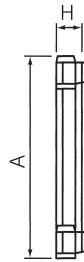
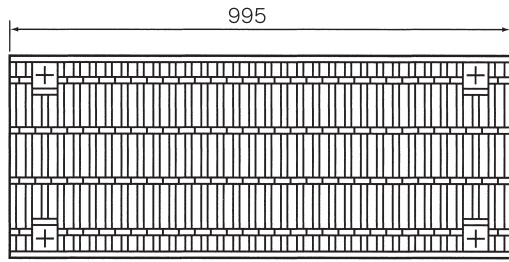
6
カルバート製品

7
下水道製品

| a × c (内幅) (内深) | 単 価 (円) | 参考質量 (kg) | 寸 法 (mm) | | | | | | | | | |
|--------------------|------------|--------------|----------|------|-----|-----|----|----|-----|----|-----|------|
| | | | B | H | a' | c' | d | d' | e | h | h' | L |
| 800×1400 | 197,000 | 1778 | 1080 | 1610 | 764 | 160 | 75 | 73 | 140 | 70 | 160 | 2000 |
| 800×1500 | 202,000 | 1860 | | 1710 | | | | | | | | |
| 800×1600 | 208,000 | 1942 | | 1810 | | | | | | | | |
| 800×1700 | 214,000 | 2025 | | 1910 | | | | | | | | |
| 800×1800 | 219,000 | 2107 | | 2010 | | | | | | | | |
| 900× 700 | 161,000 | 1310 | 1190 | 920 | 866 | 170 | 75 | 77 | 145 | 75 | 170 | 2000 |
| 900× 800 | 167,000 | 1400 | | 1020 | | | | | | | | |
| 900× 900 | 172,000 | 1483 | | 1120 | | | | | | | | |
| 900×1000 | 178,000 | 1570 | | 1220 | | | | | | | | |
| 900×1100 | 184,000 | 1657 | | 1320 | | | | | | | | |
| 900×1200 | 189,000 | 1744 | | 1420 | | | | | | | | |
| 900×1300 | 195,000 | 1831 | | 1520 | | | | | | | | |
| 900×1400 | 201,000 | 1918 | | 1620 | | | | | | | | |
| 900×1500 | 218,000 | 2010 | | 1720 | | | | | | | | |
| 900×1600 | 220,000 | 2097 | | 1820 | | | | | | | | |
| 900×1700 | 226,000 | 2184 | 1920 | 862 | 79 | | | | | | | |
| 900×1800 | 232,000 | 2271 | 2020 | | | | | | | | | |
| 900×1900 | 238,000 | 2358 | 2120 | | | | | | | | | |
| 1000× 800 | 177,000 | 1530 | 1300 | 1030 | 964 | 180 | 80 | 78 | 150 | 80 | 180 | 2000 |
| 1000× 900 | 183,000 | 1620 | | 1130 | | | | | | | | |
| 1000×1000 | 188,000 | 1705 | | 1230 | | | | | | | | |
| 1000×1100 | 194,000 | 1797 | | 1330 | | | | | | | | |
| 1000×1200 | 200,000 | 1889 | | 1430 | | | | | | | | |
| 1000×1300 | 206,000 | 1980 | | 1530 | | | | | | | | |
| 1000×1400 | 212,000 | 2072 | | 1630 | | | | | | | | |
| 1000×1500 | 219,000 | 2164 | | 1730 | | | | | | | | |
| 1000×1600 | 233,000 | 2261 | | 1830 | | | | | | | | |
| 1000×1700 | 239,000 | 2352 | | 1930 | | | | | | | | |
| 1000×1800 | 246,000 | 2444 | 2030 | 960 | 80 | | | | | | | |
| 1000×1900 | 252,000 | 2536 | 2130 | | | | | | | | | |
| 1000×2000 | 258,000 | 2627 | 2230 | | | | | | | | | |

※製品質量が2t以上の製品は車上渡しとなります。

■横断用グレーチング蓋



| | 単 価 (円) | 参考質量 (kg) | 規格寸法 (mm) | | | 備 考 | |
|--------------------------|------------|--------------|-----------|-----|------|-----|------------------------|
| | | | A | H | L | | |
| ノ 普 ン ス リ ッ プ 目 | 300 | 別途見積 | 31 | 400 | 59.5 | 995 | 横断固定型 ※受枠込み T-25 |
| | 400 | 〃 | 45 | 500 | 69.5 | 995 | |
| | 500 | 〃 | 55 | 600 | 74.5 | 995 | |
| | 600 | 〃 | 71 | 700 | 84.5 | 995 | |
| ノ 細 ン ス リ ッ プ 目 | 300 | 〃 | 31 | 400 | 59.5 | 995 | |
| | 400 | 〃 | 45 | 500 | 69.5 | 995 | |
| | 500 | 〃 | 55 | 600 | 74.5 | 995 | |
| | 600 | 〃 | 71 | 700 | 84.5 | 995 | |

1 道路用オリジナル製品

2 道路用一般製品

3 水路製品

4 環境保全型製品

5 擁壁・法面製品

6 カルバート製品

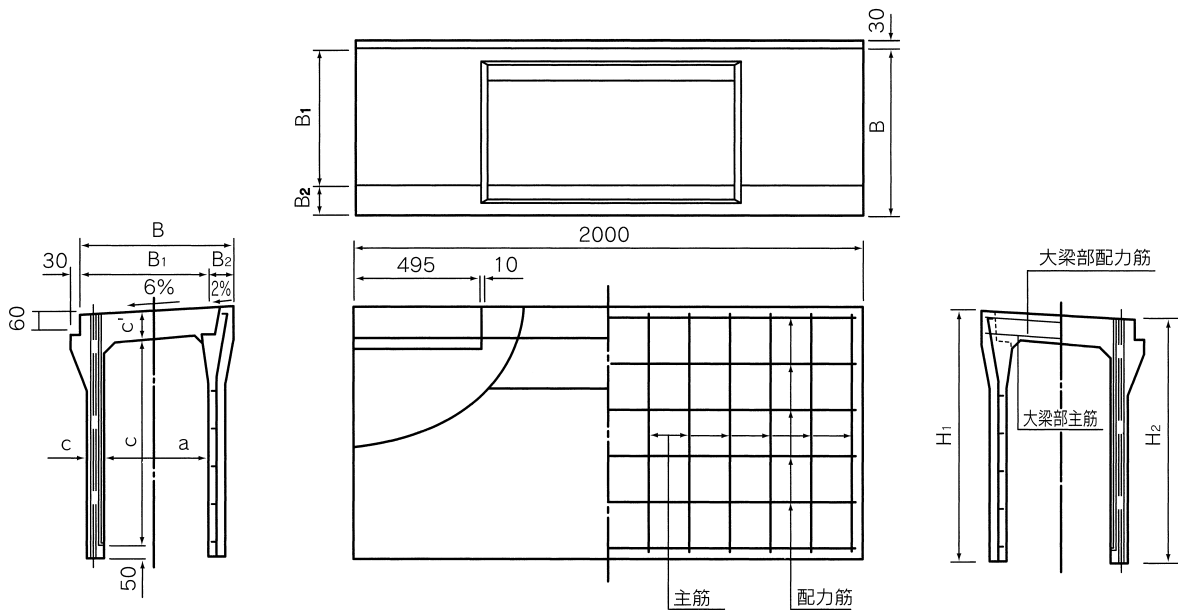
7 下水道製品

街路用VS

街路用VSとは、車道と歩道の雨水を自由勾配にて、端末まで排水するという経済的・合法的な製品です。

特長

1. 側溝の天端には、6%の排水勾配がついております。
2. 水路勾配を自由にできます。
3. 路面の排水が迅速です。
4. 蓋版には、衝撃・騒音防止用のゴムパッキンが装着されております。



| 呼び名 (幅×深) | 単価 (円) | 参考質量 (kg) | 寸法 (mm) | | | | | | | | |
|--------------|-----------|--------------|---------|----------------|----------------|----------------|----------------|-----|------|-----|-----|
| | | | B | B ₁ | B ₂ | H ₁ | H ₂ | a | c | c' | e |
| 300×300 | 22,400 | 380 | 500 | 500 | - | 465 | 435 | 300 | 300 | 100 | 55 |
| 300×400 | 26,500 | 449 | | | | 565 | 535 | | 400 | | 60 |
| 300×500 | 29,900 | 505 | | | | 665 | 635 | | 500 | | 70 |
| 300×600 | 36,300 | 615 | | | | 765 | 735 | | 600 | | 80 |
| 300×700 | 40,200 | 680 | | | | 865 | 835 | | 700 | | 90 |
| 300×800 | 48,600 | 820 | | | | 965 | 935 | | 800 | | 100 |
| 300×900 | 53,100 | 895 | | | | 1065 | 1035 | | 900 | | 110 |
| 300×1000 | 62,900 | 1060 | | | | 1165 | 1135 | | 1000 | | 120 |
| 300×1100 | 67,600 | 1114 | | | | 1265 | 1235 | | 1100 | | |
| 400×400 | 30,100 | 510 | 610 | 500 | 110 | 580 | 547 | 400 | 400 | 115 | 60 |
| 400×500 | 34,900 | 590 | | | | 680 | 647 | | 500 | | 65 |
| 400×600 | 38,800 | 655 | | | | 780 | 747 | | 600 | | 75 |
| 400×700 | 46,200 | 780 | | | | 880 | 847 | | 700 | | 85 |
| 400×800 | 50,400 | 850 | | | | 980 | 947 | | 800 | | 95 |
| 400×900 | 59,300 | 1000 | | | | 1080 | 1047 | | 900 | | |
| 400×1000 | 63,900 | 1080 | | | | 1180 | 1147 | | 1000 | | |
| 400×1100 | 74,700 | 1260 | | | | 1280 | 1247 | | 1100 | | |
| 400×1200 | 80,100 | 1350 | | | | 1380 | 1347 | | 1200 | | |

1 道路用オリジナル製品

2 道路用一般製品

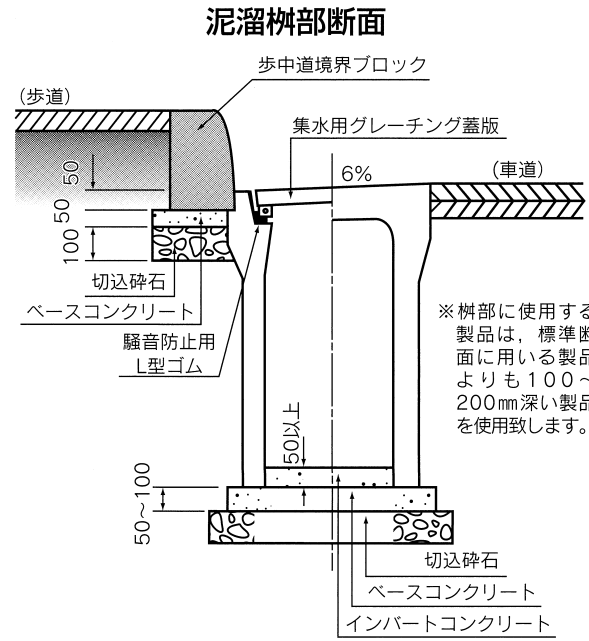
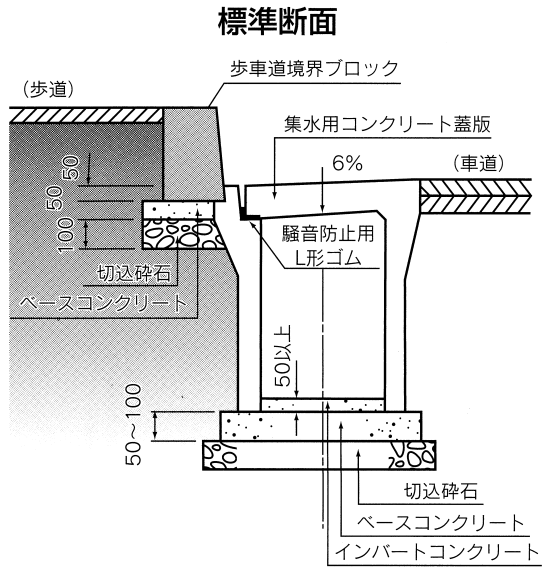
3 水路製品

4 環境保全型製品

5 擁壁・法面製品

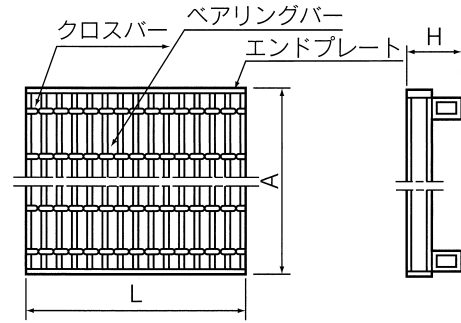
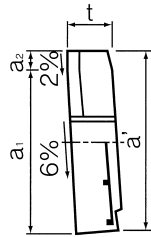
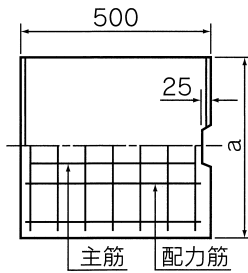
6 カルバート製品

7 下水道製品



※蓋板には、騒音防止用L型ゴムパッキンを装着しております。

街路VS用蓋



街路VS用蓋

| 呼名 | 単価 (円) | 参考質量 (kg) | 寸法 (mm) | | | | | 備考 |
|-----|-----------|--------------|---------|-----|----------------|----------------|-----|---------------------|
| | | | a | a' | a ₁ | a ₂ | t | |
| 300 | 4,480 | 43 | 400 | 380 | 400 | — | 100 | ノイズガード (騒音防止側溝蓋) |
| 400 | 5,860 | 63 | 500 | 480 | 445 | 55 | 115 | |

グレーチング

※グレーチング詳細は、当社にお問い合わせください。

1 道路用オリジナル製品

2 道路用一般製品

3 水路製品

4 環境保全型製品

5 擁壁・法面製品

6 カルバート製品

7 下水道製品